



WL2650U

crystal clear
display solutions



Optimum installation for widescreen (WXGA) applications

Designed for Widescreen Applications

The WL2650U is a WXGA projector (1280 x 800 dots) that features a finely tuned screen aspect ratio to support the shift towards wider PC screens and has been built with up to 1.3 times the display area of conventional XGA projectors, making it fully compatible with widescreen laptops and PC's.

Crystal clear DVD images can be reproduced on the WL2650U as it is free from compression and depending on the application two windows can appear on screen at once; such as the menu and preview domains.

Long Lamp Life - Maximum 4,000 hours

Supported by our optimum design for light source lamp temperature control, a maximum lamp life of up to 4,000 hours is achieved; helping to reduce the overall running costs of this projector.

Side Loading Lamp

The lamp may be removed from the side of the WL2650U quickly and easily. This eliminates the need to remove the projector from its installed position for easy lamp maintenance.



Security Anchor

A robust key lock chain may be passed through the projectors hook, this acts as a reliable anti-theft measure.

3500 ANSI LUMENS
4000 HOUR LAMP LIFE
600:1 CONTRAST RATIO

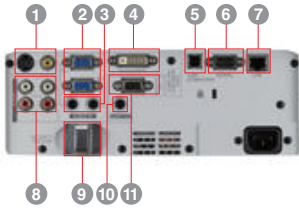
BrightEra™





PORTABLE WXGA PROJECTOR WL2650U

Input and Output Terminals



- 1 S-Video / Video input
- 2 PC / Component Video input (mini D-sub 15pin)
- 3 PC / Audio input
- 4 DVI-D (with HDCP) input
- 5 USB terminal for mouse control
- 6 Serial RS-232C (D-sub 9pin)
- 7 LAN (RJ-45)
- 8 Video / Audio input
- 9 Security Anchor
- 10 Audio output
- 11 Monitor output

Options

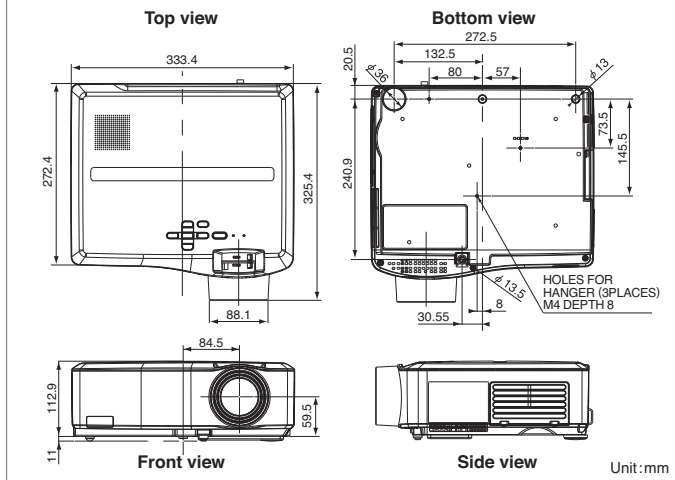
Replacement lamp
VLT-XL650LP



Option Lens Line-up

Model	Short Throw Zoom Lens OL-XL2550MZ	Long Throw Zoom Lens OL-XL2550LZ	Tele Throw Zoom Lens OL-XL2550TZ
Zoom / Focus	Manual (1.3x)	Manual (1.5x)	Manual (1.5x)
Projection Lens	f=29-37mm F1.7-2.0	f=32-48mm F2.2-2.8	f=48-74mm F2.2-2.7

Dimensions



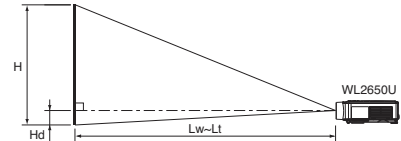
Specifications

Model	WL2650U
Display technology	0.75" 3-LCD (with Micro Lens)
Resolution	1280x800 (total 1,024,000 pixels)
Brightness	3500lm
Contrast	600 : 1 (on/off)
Projection lens	f=24-29mm, F1.7-1.9
Throw ratio	1.47-1.77
Offset axis	40up : 1down (No variable lens shift)
Picture Size	40"~300" (100"=3.2~3.8m)
Source lamp	220W (Shut Off Time 4000Hrs) with Low Mode 261W (Shut Off Time 2000Hrs) with Standard Mode
Computer compatibility	640x480 ~ 1920x1080 True: 1280x800, Sync on green available
Video compatibility	NTSC/NTSC 4.43/PAL(including PAL-M, N)/SECAM/PAL-60, Component Video: 480i/p(525i/p), 576i/p(625i/p), 720p(750p 50/60Hz), 1080i(1125i 50/60Hz), 1080p(1125p 50/60Hz), SCART(RGB+1V sync)
Digital keystone	Vertical: MAX +/- 35 deg, Horizontal: MAX +/- 25 deg
PC input terminals	PC: Mini D-sub 15pinx2, DVI-D(with HDCP)x1, Audio: Stereo mini(φ3.5)x2
Video input terminals	Video: RCAx1, S-VIDEOx1, Audio: RCA(L,R)x2
Output terminals	Monitor Out: Mini D-sub 15pinx1, Audio: Stereo Mini(φ3.5)x1
Communication terminals	LAN(RJ-45)x1 (for projector control), RS-232C(D-Sub 9pin)x1, USB terminalx1 (for mouse control)
Audio speaker	3W mono
Dimension(WXHXD)	333x113x272mm / 13.0x4.5x10.7inch (excluding height adjustment)
Weight	4.7kg / 10.4lbs
Power supply	AC100 - 240V, 50/60Hz
Optional lamp	VLT-XL650LP

- * BrightEra and **BrightEra** are trademarks of Sony corporation.
- *All brand names and product names are trademarks, registered trademarks or trade names of their respective holders.
- *Compliance with ISO21118-2005

Screen size and Projection distance

As seen from the side



Normal Lens / Screen size chart (WXGA)

Diagonal size	Screen				Distance from screen (L)				Height projected image (Hd)		
	Width (W)		Height (H)		Maximum Zoom		Minimum Zoom		inch	cm	
inch	cm	inch	cm	inch	cm	inch	m	inch	m	inch	cm
40	102	34	86	21	54	49	1.2	59	1.5	0.5	1
60	152	51	129	32	81	74	1.9	90	2.3	0.8	2
80	203	68	172	42	108	100	2.5	121	3.1	1.1	3
100	254	85	215	53	135	125	3.2	151	3.8	1.3	3
150	381	127	323	79	202	189	4.8	228	5.8	2.0	5
200	508	170	431	106	269	252	6.4	305	7.7	2.6	7
250	635	212	538	132	337	315	8.0	381	9.7	3.3	8
300	762	254	646	159	404	379	9.6	-	-	3.9	10

Option Lens / Screen size chart (WXGA)

Diagonal size	OL-XL2550MZ				OL-XL2550LZ				OL-XL2550TZ				
	Width (W)		Height (H)		Distance from screen (L)		Height projected image (Hd)		Distance from screen (L)		Height projected image (Hd)		
inch	cm	inch	cm	inch	m	inch	m	inch	cm	inch	m	inch	cm
40	102	34	86	21	54	58	1.5	75	1.9	0.5	1	-	-
60	152	51	129	32	81	89	2.3	114	2.9	0.8	2	97	2.5
80	203	68	172	42	108	119	3.0	152	3.9	1.1	3	130	3.3
100	254	85	215	53	135	149	3.8	191	4.9	1.3	3	163	4.2
150	381	127	323	79	202	224	5.7	287	7.3	2.0	5	246	6.3
200	508	170	431	106	269	300	7.8	384	9.8	2.6	7	329	8.5
250	635	212	538	132	337	375	9.5	-	-	3.3	8	412	10.6
300	762	254	646	159	404	453	11.5	-	-	3.9	10	495	12.8

The above numbers are approximate, and may be slightly different from the actual measurements.

MITSUBISHI ELECTRIC EUROPE

New publication, effective January 2009 Specifications subject to change without notice.

Mitsubishi Electric Europe B.V. Visual Information Systems Division, Travellers Lane, Hatfield, Herts AL10 8XB
Tel: 01707 278684 Fax: 01707 278541 www.mitsubishielectric.co.uk/vis email: projector.info@meuk.mee.com